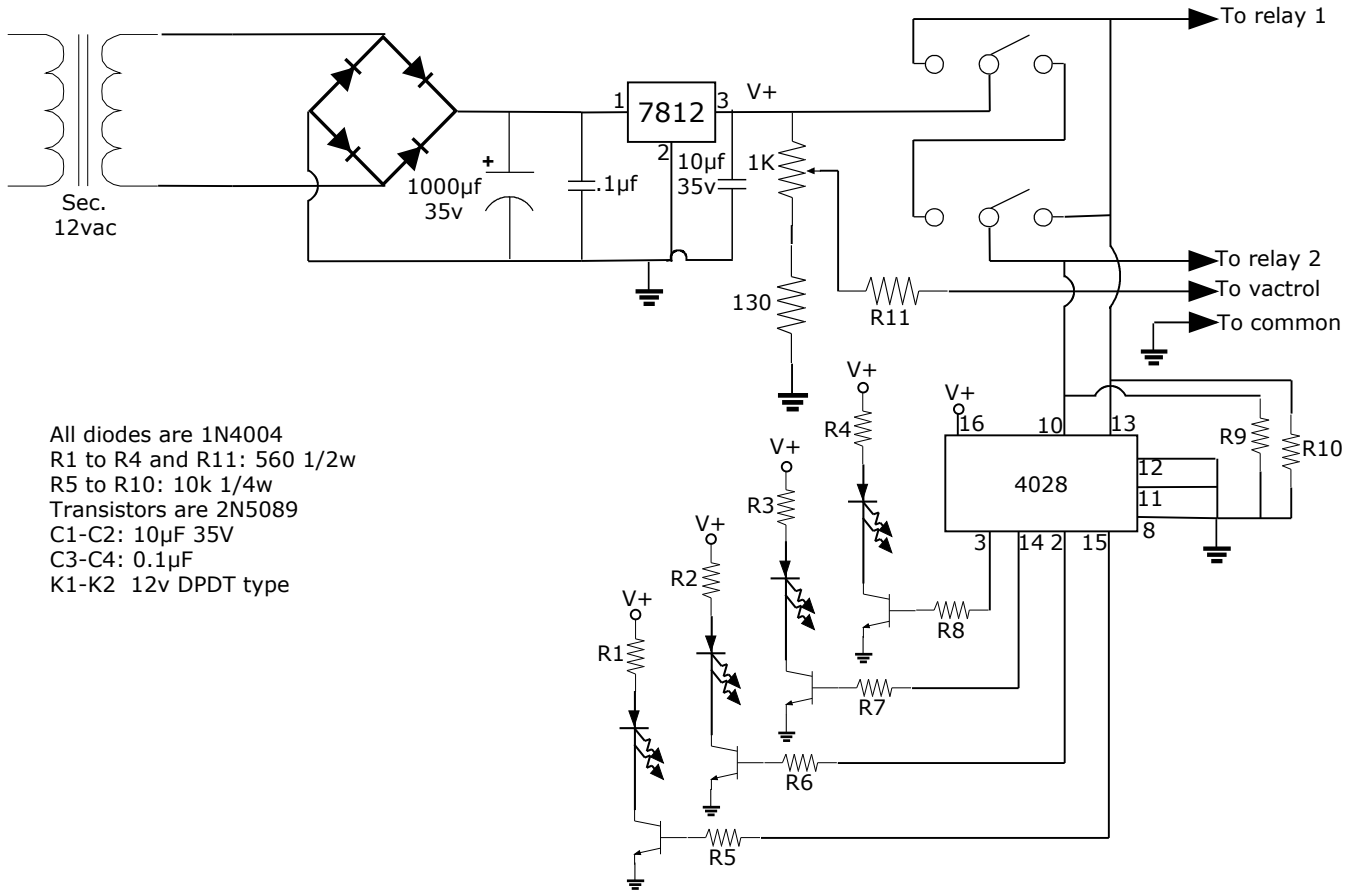
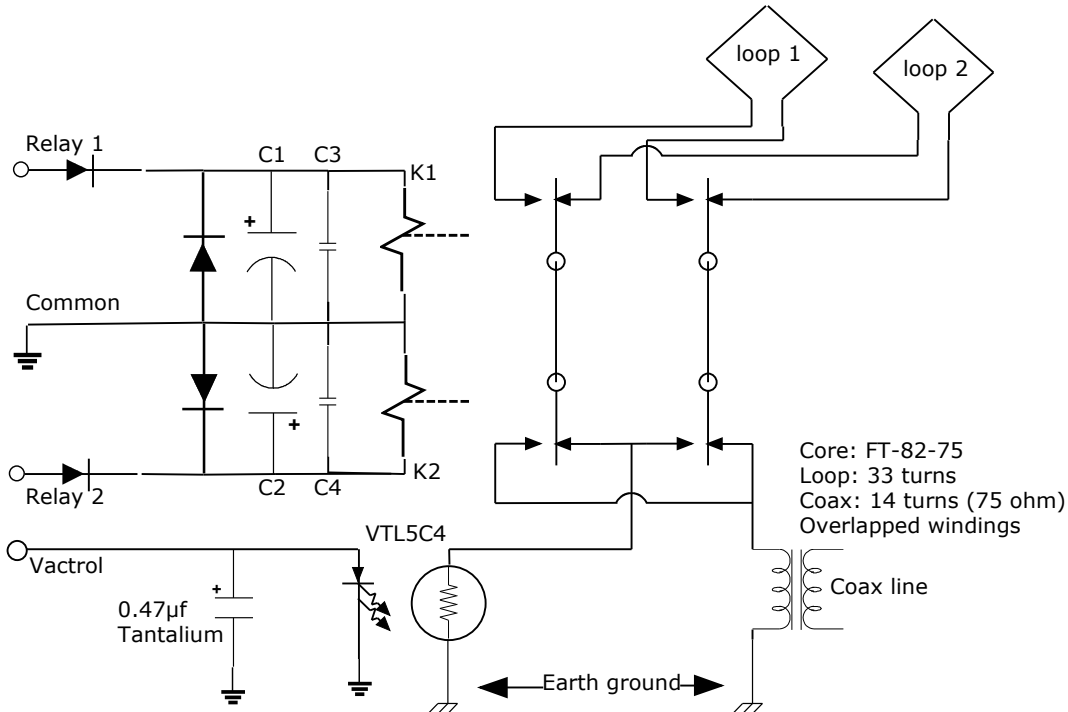


CONTROL BOX



All diodes are 1N4004
 R1 to R4 and R11: 560 1/2w
 R5 to R10: 10k 1/4w
 Transistors are 2N5089
 C1-C2: 10µF 35V
 C3-C4: 0.1µF
 K1-K2 12v DPDT type

RELAY BOX



My K9AY control system
Sylvain Naud, fall 2008